

Walker Wireless Counter

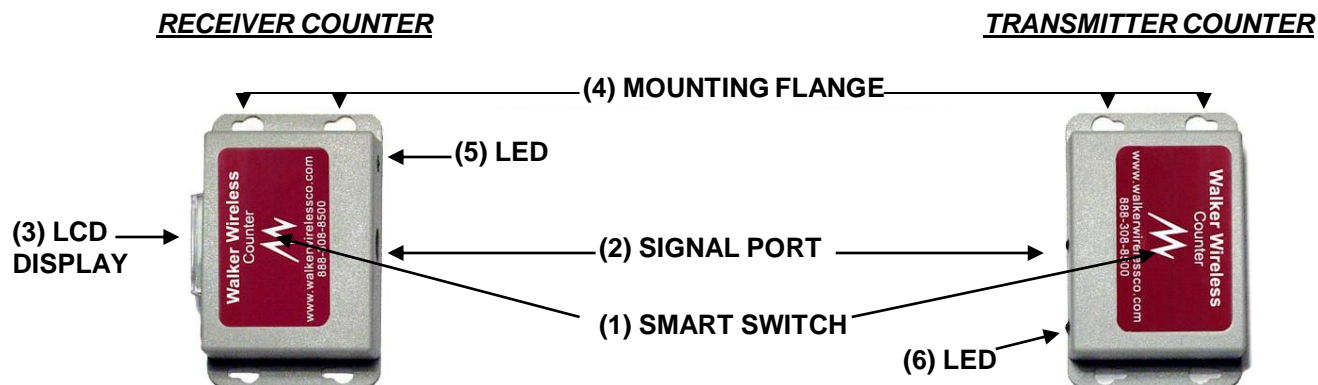
Installation Instructions

Part # = 3005-44

THE WIRELESS, 3.6v AA BATTERY OPERATED COUNTERS (ONE **RECEIVER COUNTER** AND ONE **TRANSMITTER COUNTER**) WHEN APPLIED TO A SURFACE FACING EACH OTHER, PROJECT AN INVISIBLE BEAM CAPABLE OF COVERING A 20 FOOT SEPARATION. THE TOTAL COUNT IS REGISTERED ON A 6 DIGIT LCD DISPLAY LOCATED ON TOP OF THE **RECEIVER COUNTER** WHEN PASSING PERSONS BREAK THE BEAM.

CONTROLS AND FUNCTIONS

- (1) **SMART SWITCH** – PERFORMS COUNTER FUNCTIONS WHEN DEPRESSED
- (2) **SIGNAL PORT** – MUST BE FACING EACH OTHER TO CREATE BEAM
- (3) **LCD DISPLAY** – DISPLAYS COUNT OF PASSERSBY
- (4) **MOUNTING FLANGE** – SECURES COUNTER TO SURFACE
- (5) **RECEIVER COUNTER LED** – BLINKS WHEN IN ALIGNMENT
- (6) **TRANSMITTER COUNTER LED** – INDICATES ACTIVE AND INACTIVE MODE



THE COUNTERS ARE SHIPPED IN THE INACTIVE MODE TO CONSERVE BACKUP BATTERY LIFE AND ELIMINATE SIGNAL DURING SHIPMENT. ALL FUNCTIONS ARE EASILY CONTROLLED BY CAREFULLY DEPRESSING THE SMART SWITCH (1).

RECEIVER COUNTER INACTIVE MODE IS RECOGNIZED BY THE ADVANCEMENT OF ONE COUNT PER SECOND ON THE LCD DISPLAY (3). TO ACTIVATE THE RECEIVER COUNTER, DEPRESS AND HOLD (APPROXIMATELY 4-5 SECONDS) THE SMART SWITCH (1) UNTIL ZERO APPEARS ON THE LCD DISPLAY (3), THEN QUICKLY RELEASE.

TRANSMITTER COUNTER INACTIVE MODE IS RECOGNIZED BY THE BLINKING OF THE LED (6) WHEN SMART SWITCH (1) IS PRESSED AND QUICKLY RELEASED. TO ACTIVATE THE TRANSMITTER COUNTER, DEPRESS AND HOLD THE SMART SWITCH (1). THE LED (6) WILL BRIGHTEN AND THEN GO OUT. RELEASE THE SMART SWITCH (1) QUICKLY WHEN THE LED (6) GOES OUT.

TO RETURN EITHER COUNTER TO INACTIVE MODE (FOR SHIPPING, MOVING, ETC.) PRESS AND HOLD THE SMART SWITCH (1) FOR 15 SECONDS. CHECK THAT BOTH COUNTERS ARE INACTIVE.

Walker Wireless Counter

Installation Instructions

Part # = 3005-44

FOR PRELIMINARY PROOF OF OPERATION, PLACE THE COUNTERS ON A TABLE-TOP SEVERAL FEET APART AND INTERRUPT THE INVISIBLE BEAM WITH YOUR HAND. IF THE RECEIVER COUNTER LED (5) BLINKS AND THE LCD (3) TALLIES, IT IS WORKING.

FOR INSTALLATION, THE COUNTERS SHOULD BE PLACED FACING EACH OTHER, WITH NO BEAMPATH OBSTRUCTIONS, APPROXIMATELY 35 INCHES HIGH FOR COUNTING BOTH ADULTS AND CHILDREN, AND 55 INCHES HIGH FOR COUNTING ADULTS ONLY.

INSTALL THE TRANSMITTER COUNTER FIRST, USING THE MOUNTING FLANGE (3). BEFORE PERMANENT INSTALLATION OF THE RECEIVER COUNTER, POSITION IT ON THE WALL OPPOSITE THE TRANSMITTER COUNTER AND PERFORM THE BLINK TEST AGAIN, AS STATED ABOVE. IF THE TEST IS SUCCESSFUL, PROCEED TO PERMANENT INSTALLATION.

TO RESET THE LCD DISPLAY TO ZERO, DEPRESS AND HOLD THE SMART SWITCH (1) UNTIL ZERO APPEARS ON THE LCD DISPLAY (3).

BATTERY REPLACEMENT

TO ENSURE PROPER COUNTER FUNCTION, BATTERIES MUST BE REPLACED AT RECOMMENDED INTERVALS. TO REPLACE THE BATTERIES IN EITHER COUNTER, HOLD THE SIDES OF COVERS AND SQUEEZE TO RELEASE THE COVERS. REMOVE ALL COVERS FROM THE BACKPLATE, REMOVE THE OLD BATTERIES, AND REPLACE WITH NEW 3.6 VOLT AA LITHIUM BATTERIES. **DO NOT ATTEMPT TO REPLACE WITH 1.5 VOLT AA BATTERIES.**

AVAILABLE ACCESSORIES

- 3.6 VOLT AA REPLACEMENT BATTERIES
- COMPUCOUNT
- BOOSTACOUNT